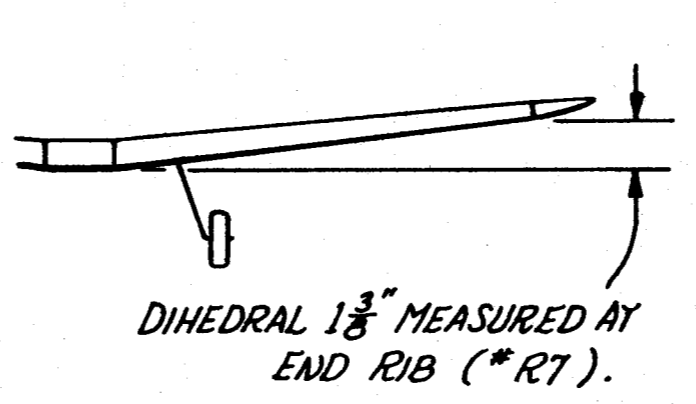
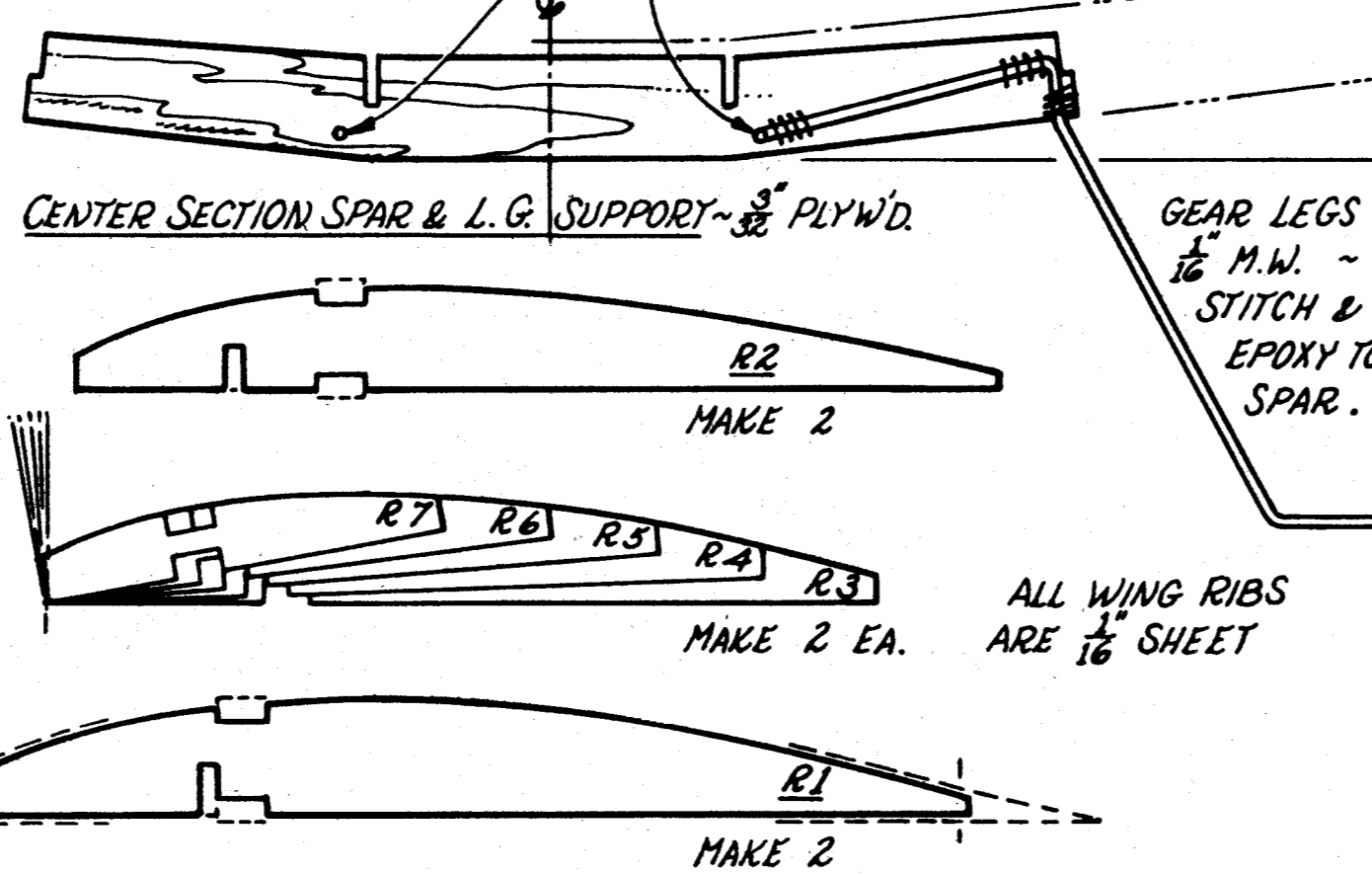
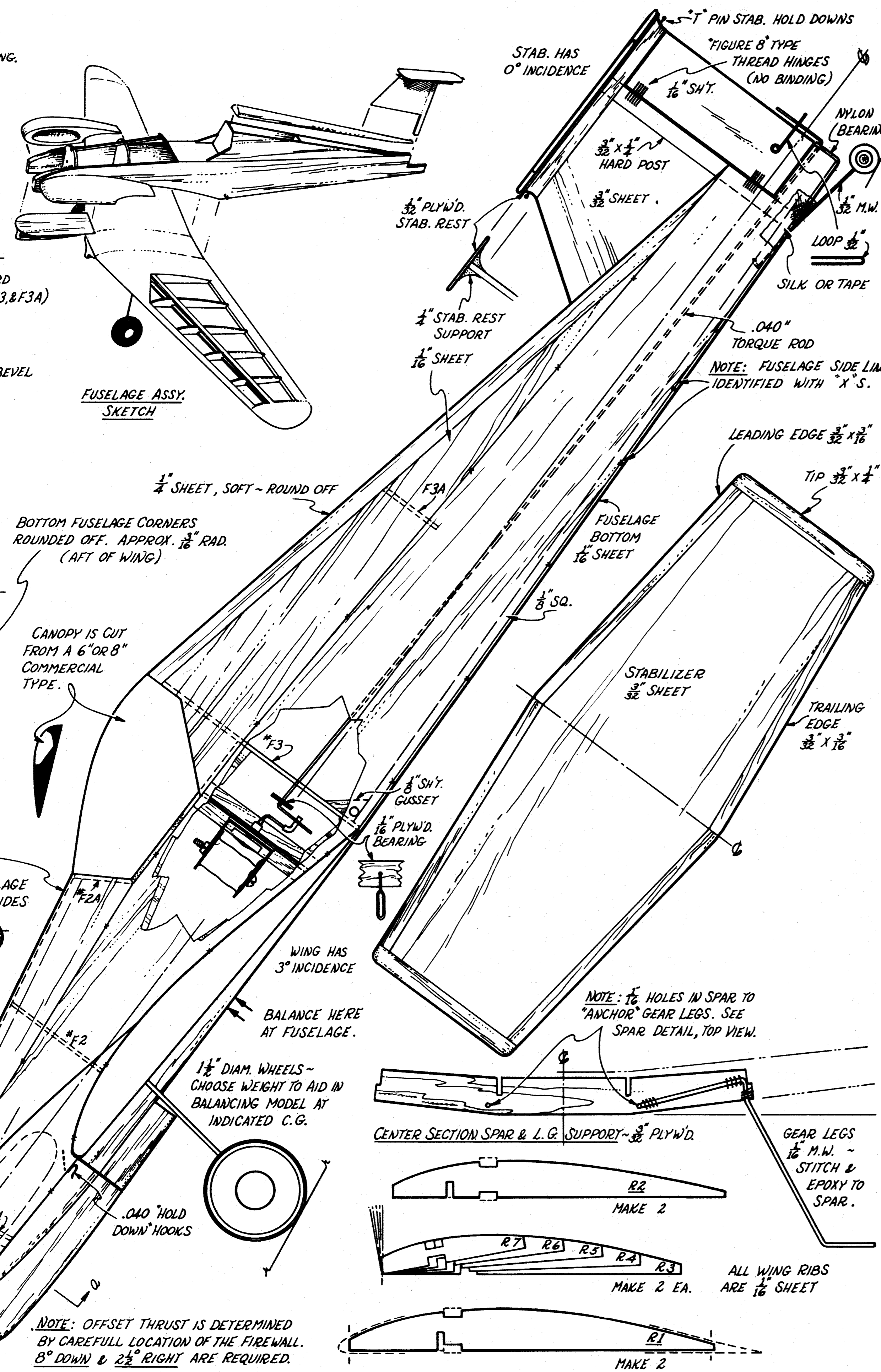
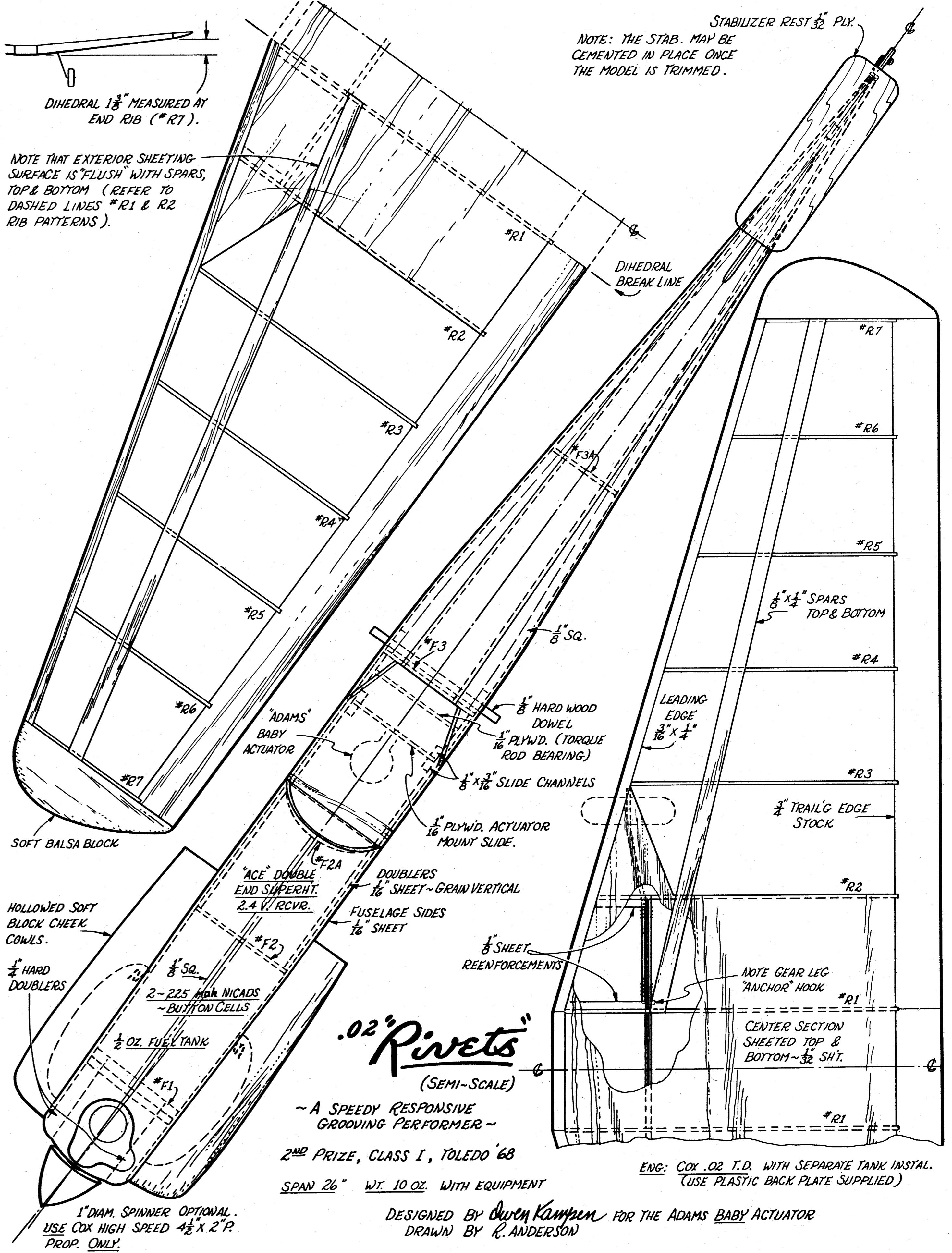


NOTE: OFFSET THRUST IS DETERMINED BY CAREFULLY LOCATION OF THE FIREWALL. 8° DOWN & 2½° RIGHT ARE REQUIRED.



NOTE THAT EXTERIOR SHEETING SURFACE IS FLUSH WITH SPARS, TOP & BOTTOM (REFER TO DASHED LINES #R1 & R2 RIB PATTERNS).



.02" Rivets"
(SEMI-SCALE)

~ A SPEEDY RESPONSIVE GROOVING PERFORMER ~
2ND PRIZE, CLASS I, TOLEDO '68
SPAN 26" WT. 10 OZ. WITH EQUIPMENT

DESIGNED BY Owen Kampen FOR THE ADAMS BABY ACTUATOR
DRAWN BY R. ANDERSON

ENG: COX .02 I.D. WITH SEPARATE TANK INSTAL. (USE PLASTIC BACK PLATE SUPPLIED)